



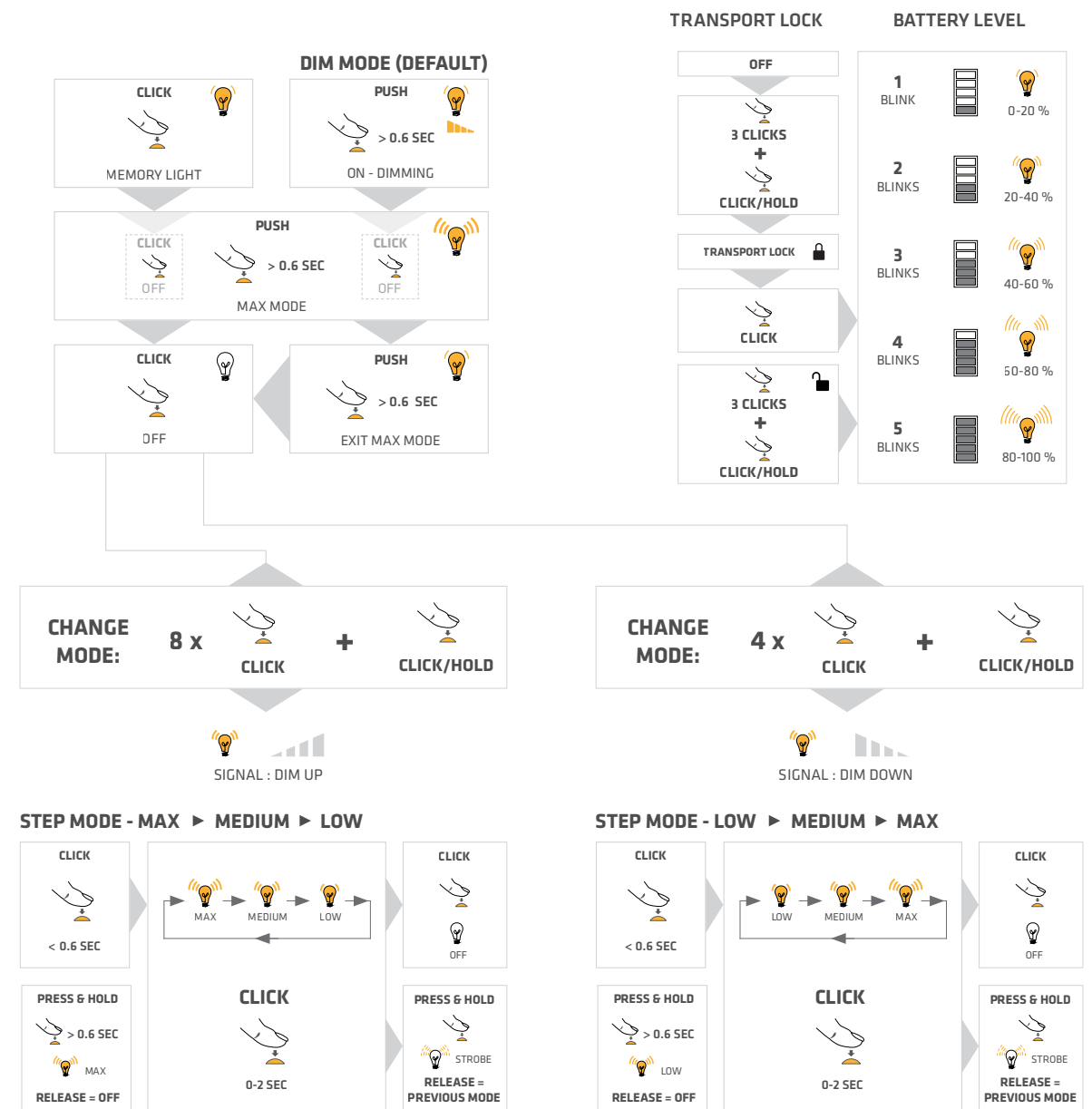
SCAN FOR INSTRUCTION  
**VIDEO**



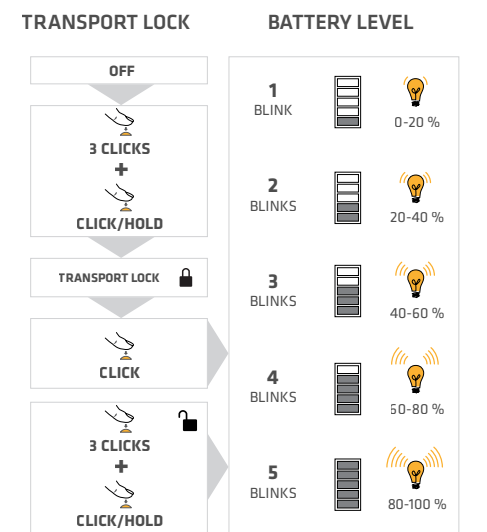
**Q7xrs**

Danish Design | Swiss Engineering

## Light control function



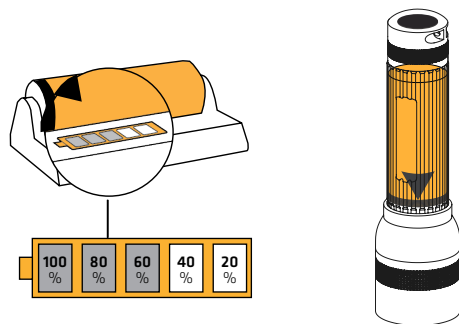
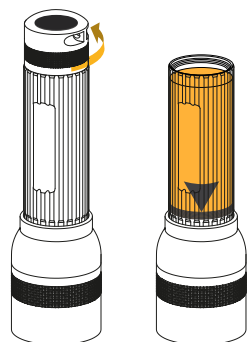
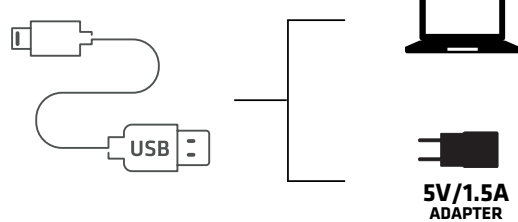
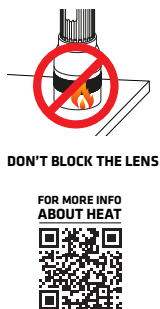
## Transport Lock



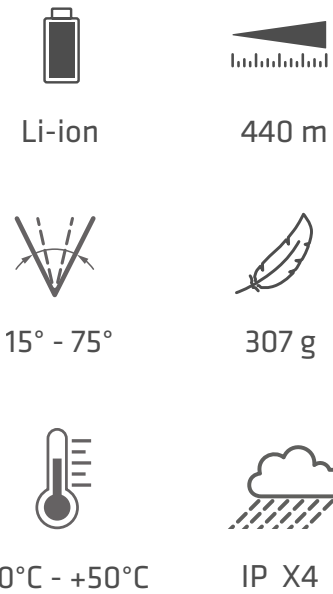
## Warning and Changing Battery

## Charging (0°C - +45°C)

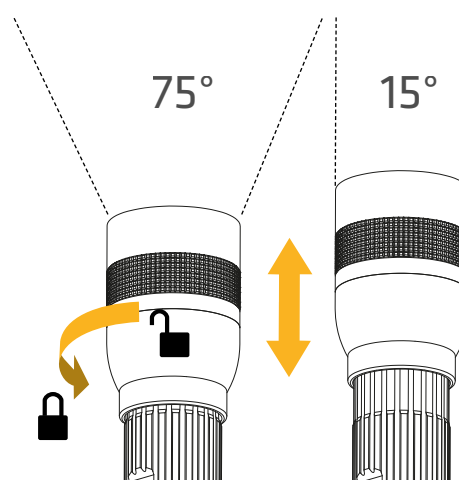
**Eye Safety**  
Risk Group 2  
(IEC 62471)



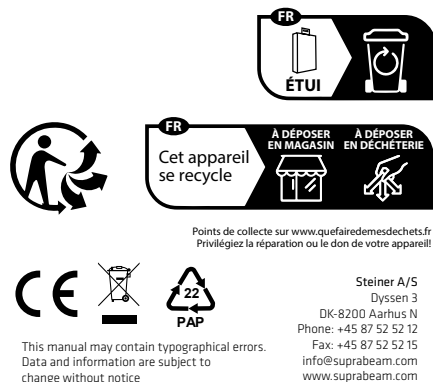
## Specifications



## Hyperfocus and Focuslock



## Additional online information



## UK

### OPERATING

#### DIM MODE

With the Q7xrs turned off, click the button to turn on the Q7xrs. This will turn on the Q7xrs in MAX intensity, or at the last intensity level used. The Q7xrs saves the last intensity used in its memory (removing the battery will erase the memory of the Q7xrs. The next time the Q7xrs is turned on, it will start in MAX intensity). When the Q7xrs is off, press and hold the button for 0.6 sec. to enter Dim-mode. The intensity will decrease and increase until the button is released. With the Q7xrs turned on, press and hold the button for 0.6 sec. to enter MAX-mode. Repeat this to exit MAX-mode.

In any light mode, simply press the switch once to turn it off.

#### STEP MODE

Press and hold the switch for more than 0.6 sec, when the Q7xrs is off, for a brief light. Press and hold the switch for more than 0.6 sec, when the Q7xrs is on to activate strobe. To turn off, simply click the switch once.

#### CHANGE MODES

Click the switch 8 times and on the 9th click, press and hold it for 1 sec to change between DIM mode and MAX - LOW STEP mode. The light will dim up to signal MAX - LOW mode

Click the switch 4 times and on the 5th click, press and hold it for 1 sec to change between DIM mode and LOW - MAX STEP mode. The light will dim down to signal LOW - MAX mode

#### MAX - LOW

Click the switch to turn on the Q7xrs and click again within 2 sec. to adjust the light level to: Max, Medium and Low

#### LOW - MAX

Click the switch to turn on the Q7xrs and click again within 2 sec. to adjust the light level to: Low, Medium and Max

#### HYPERFOCUS™

The light beam angle of the Q7xrs is adjustable from 15° to 75° by sliding the torch head back and forth. The torch head can be locked in the selected position by rotating left.

### BATTERIES

Pay attention to the polarity of the batteries when placing them in the Q7xrs or in the charger.

### RECHARGEABLE BATTERIES

Lithium-Ion batteries must be handled properly! Improper handling may cause explosion, leakage or fire!

- Do not expose or charge in direct sunlight!
- Do not recharge where heat can build up.
- If something unusual is noticed, stop using the battery

For more info, please read the included battery safety manual.

### CHARGING

Charging is done in the charging station by connecting it by a USB-C cable to a computer or to the supplied 5V/2A adapter. The charging bay shows the charging level in the 5-LED indicator. Remember to regularly (approx. every 3 months) charge both batteries fully to avoid discharge.

### MAINTENANCE

Please make sure that the Q7xrs is clean, especially around the movable parts. You can clean it with a damp cloth. Pay special attention to the union of the tail cap. Dirt on this area could impair the correct contact of the batteries. Repairs may only be carried out by authorized personnel.

### WARNING

Never leave the Q7xrs turned on standing on the head on a flat surface, such as a table or similar. The heat from the LED could damage the lens permanently.

### DISPOSAL

Dispose this product in an environmentally compatible manner in accordance with national regulations, if in doubt about correct disposal please contact your municipal authority that can provide information about correct disposal.

### EYE SAFETY

Do not look directly into the beam. The intense light can damage your eyes. The torch is classified in LED Risk Group 2 (IEC 62471)

For further information and instructions, please go to [suprabeam.com](http://suprabeam.com)

